

TEKNIC

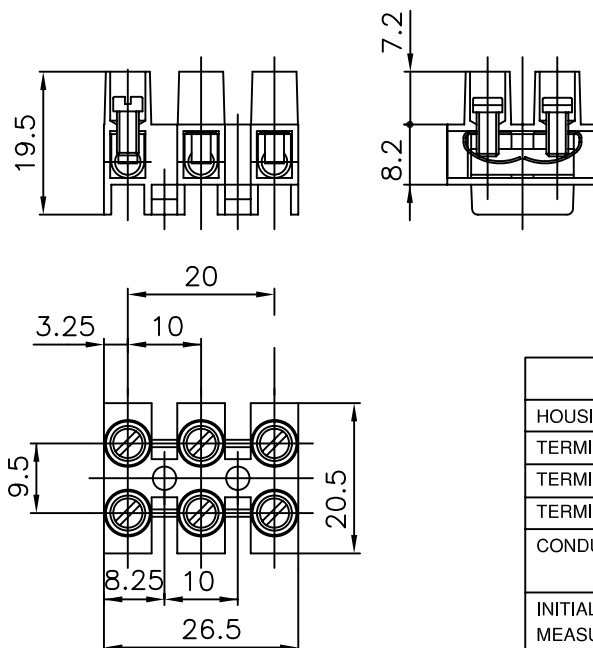
TERMINAL STRIP TSS21,22,&41



TSS 21, 22 and 41 are Three way, Twelve way Terminal Strips which can be used as Cable connectors in any appliance for connection of Phase Neutral, and Phase, Neutral and earth respectively. They are suitable for termination of the incoming / outgoing cable up to 2.5 Sq.mm (for TSS 21 & 22)/4 Sq.mm(for TSS 41) using Screw clamps.

TERMINAL STRIP TSS22

15A, 250V

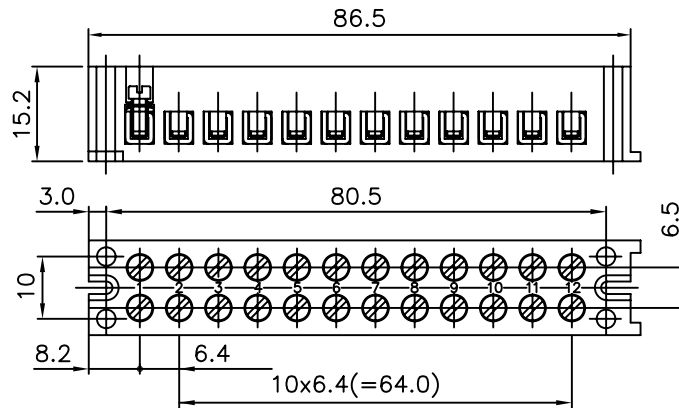


TECHNICAL SPECIFICATION

HOUSING	: THERMOPLASTIC FR
TERMINALS	: COPPER ALLOY.
TERMINAL SCREWS	: MILD STEEL
TERMINAL PRESSURE PAD	: STAINLESS STEEL SPRING QUALITY
CONDUCTOR SIZE	: 0.5 - 2.5Sq.mm(for TSS 21 & 22) : 4 Sq.mm(for TSS 41)
INITIAL INSULATION RESISTANCE MEASURED AT 500V DC	: > 100 Meg. ohms
DIE-ELECTRIC STRENGTH	: CAN WITHSTAND 2KV, FOR 1 MINUTE BETWEEN TERMINAL & BODY, AND BETWEEN OPEN TERMINALS.
OPERATING TEMPERATURE	: T 85.

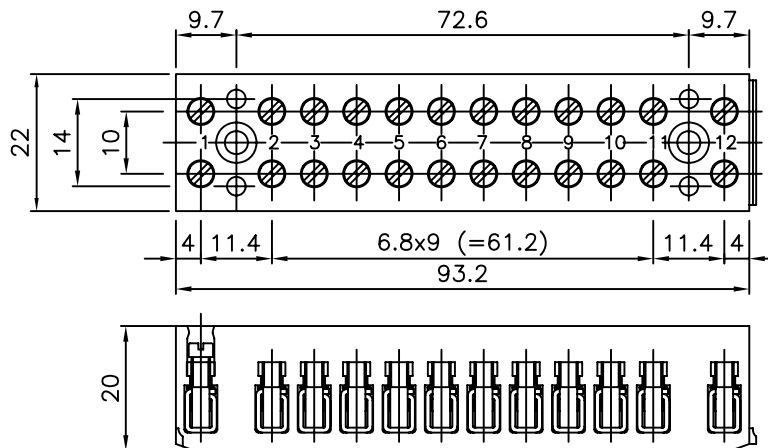
TERMINAL STRIP TSS21

10A, 250V



TERMINAL STRIP TSS41

20A, 250V



For further details, please write to:

TEKNIC ELECTROMECONICS PVT. LTD.

Regd. : 36, SNS Chambers, 239, Sankey Road, Bangaluru-560 080

Office Tel. 0091-80-23617867, 23619348. Fax. 0091-80-23618607,

E-mail : venkatesh@teknic-electromeconics.co.in

Website: www.teknicindia.com

Factory : 93, Electronic city Phase 1, 5th cross, Hosur Road, Bangaluru-560 100

Tel. 0091-80-28522716, 2820389, 28520714. Fax. 0091-80-28520254.

E-mail : tepl_wks@teknic.co.in & planning@teknic-electromeconics.co.in

Head : 703, Madhava, Bandra Kurla Complex, Bandra(East), Mumbai - 400 051.

Office Tel. 0091-22-42532500. Fax. 0091-22-26592391

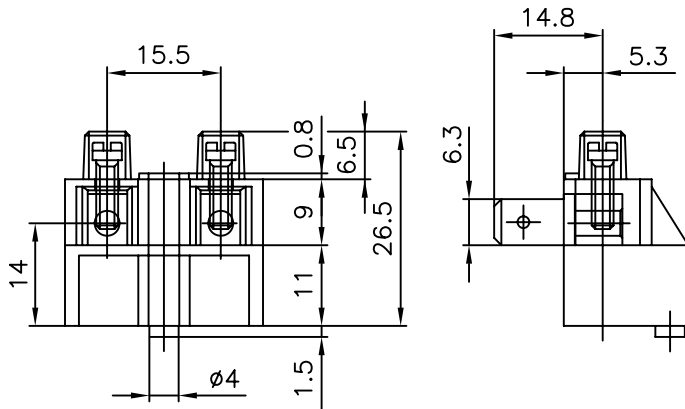
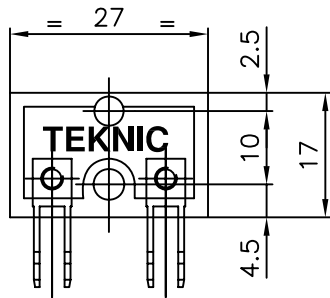
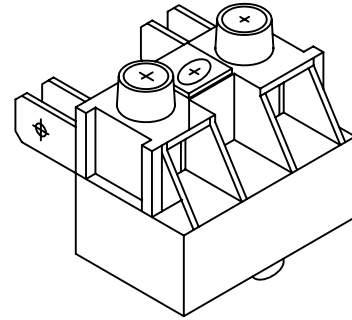
Email : teknic@vsnl.com

Website: www.teknic.co.in

TEKNIC

TERMINAL STRIP TSSL 22-2

TSSL 22-2 is a Two Way Terminal Strip which can be used as a Cable Connector in any appliance for connection of Phase and Neutral. It is suitable for termination of the incoming cable up to 2.5 Sq.mm, using Screw clamps, and termination of two outgoings on each terminal using 6.3 mm lugs.



TECHNICAL SPECIFICATION :

HOUSING	: NYLON 66
TERMINALS	: COPPER ALLOY.
SCREWS	: MILD STEEL
CONDUCTOR SIZE	: 0.5 - 2.5 Sq. mm
INITIAL INSULATION RESISTANCE	: > 100 Meg ohms.
FINAL ELECTRICAL STRENGTH	: CAN WITHSTAND 2KV, FOR 1 MINUTE BETWEEN TERMINAL & BODY, AND BETWEEN OPEN TERMINALS.
OPERATING TEMPERATURE	: T 85.

For further details, please write to:

TEKNIC ELECTROMECONICS PVT. LTD.

Regd. : 36, SNS CHAMBERS, 239, SANKEY ROAD, BANGALORE-560 080

Office Tel. (080) 23617867, 23619348. Fax. (080) 23618607,

E-MAIL : teknic ofs@satyam.net.in

Website : www.teknicinidia.com

Factory : 93, Electronic city, Hosur Road, Bangalore-560 100

Tel. (080) 28520472, 28520714. Fax. (080) 28520254.

E-MAIL : tepl_wks@satyam.net.in & planning@teknic-electromeconics.co.in

Head : 703, Madhava, Bandra Kurla Complex, Bandra(East), Mumbai - 400 051.

Office Tel. (022) 26592392/94. Fax. (022) 26592391

Email : teknic@vsnl.com

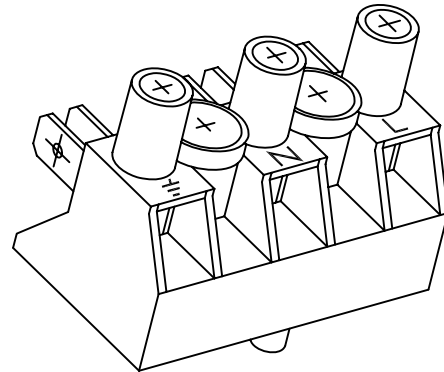
Website : www.teknico.in

TEKNIC



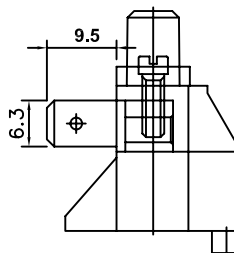
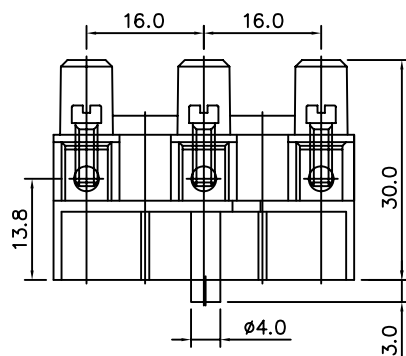
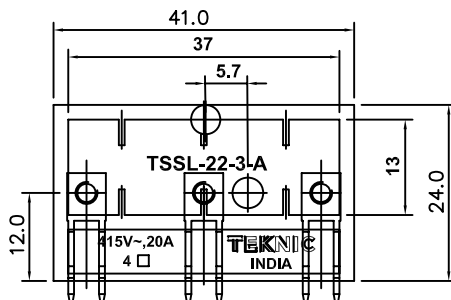
TERMINAL STRIP TSSL 22-3-A

TSSL 22-3-A is a Three Way Terminal Strip which can be used as a Cable Connector in any appliance for connection of Phase, Neutral, & Earth. It is suitable for termination of the incoming cable up to 2.5 Sq.mm, using Screw clamps, and termination of two outgoing on each terminal using 6.3 mm lugs.



TECHNICAL SPECIFICATION :

RATING	: 250/415,20A AC
HOUSING	: NYLON 66
TERMINALS	: COPPER ALLOY.
CONDUCTOR SIZE	: 0.5 - 2.5 Sq. mm
INITIAL INSULATION RESISTANCE	: > 100 Meg ohms.
FINAL ELECTRICAL STRENGTH	: CAN WITHSTAND 2KV, FOR 1 MINUTE BETWEEN TERMINAL & BODY, AND BETWEEN OPEN TERMINALS.
OPERATING TEMPERATURE	: T 85.



For further details, please write to:

TEKNIC ELECTROMECONICS PVT. LTD.

Regd. : 36, SNS CHAMBERS, 239, SANKEY ROAD, BANGALORE-560 080

Office Tel. (080) 23617867, 23619348. Fax. (080) 23618607,

E-MAIL : teknic ofs @satyam.net.in

Website : www.teknicindia.com

Factory : 93, Electronic city, Hosur Road, Bangalore-560 100

Tel. (080) 28520472, 28520714. Fax. (080) 28520254.

E-MAIL : tep_l_wks@satyam.net.in & planning@teknic-electromeconics.co.in

Head : 703, Madhava, Bandra Kurla Complex, Bandra(East), Mumbai - 400 051.

Office Tel. (022) 26592392/94. Fax. (022) 26592391

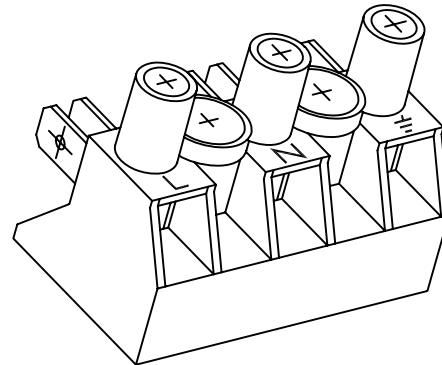
Email : teknic@vsnl.com

Website : www.teknic.co.in

TEKNIC

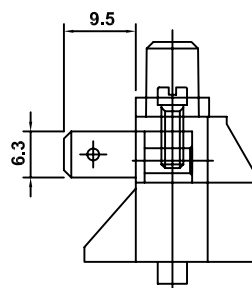
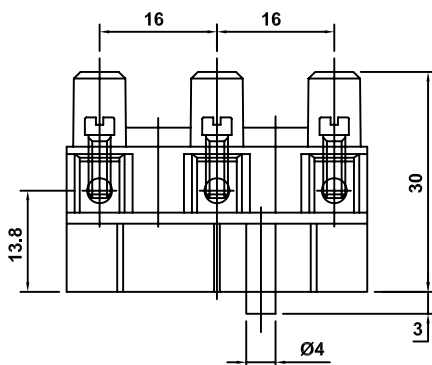
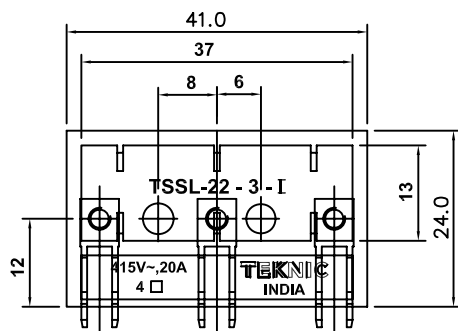
TERMINAL STRIP TSSL 22-3-I

TSSL 22-3-I is a Three Way Terminal Strip which can be used as a Cable Connector in any appliance for connection of Phase, Neutral, & Earth. It is suitable for termination of the incoming cable up to 2.5 Sq.mm, using Screw clamps, and termination of two outgoing on each terminal using 6.3 mm lugs.



TECHNICAL SPECIFICATION :

RATING	: 250/415,20A AC
HOUSING	: NYLON 66
TERMINALS	: COPPER ALLOY.
CONDUCTOR SIZE	: 0.5 - 2.5 Sq. mm
INITIAL INSULATION RESISTANCE	: > 100 Meg ohms.
FINAL ELECTRICAL STRENGTH	: CAN WITHSTAND 2KV, FOR 1 MINUTE BETWEEN TERMINAL & BODY, AND BETWEEN OPEN TERMINALS.
OPERATING TEMPERATURE	: T 85.



For further details, please write to:

TEKNIC ELECTROMECONICS PVT. LTD.

Regd. : 36, SNS CHAMBERS, 239, SANKEY ROAD, BANGALORE-560 080

Office Tel. (080) 23617867, 23619348. Fax. (080) 23618607,

E-MAIL : teknic ofs @satyam.net.in

Website : www.teknicindia.com

Factory : 93, Electronic city, Hosur Road, Bangalore-560 100

Tel. (080) 28520472, 28520714. Fax. (080) 28520254.

E-MAIL : tepl_wks@satyam.net.in & planning@teknic-electromeconics.co.in

Head : 703, Madhava, Bandra Kurla Complex, Bandra(East), Mumbai - 400 051.

Office Tel. (022) 26592392/94. Fax. (022) 26592391

Email : teknic@vsnl.com

Website : www.teknic.co.in