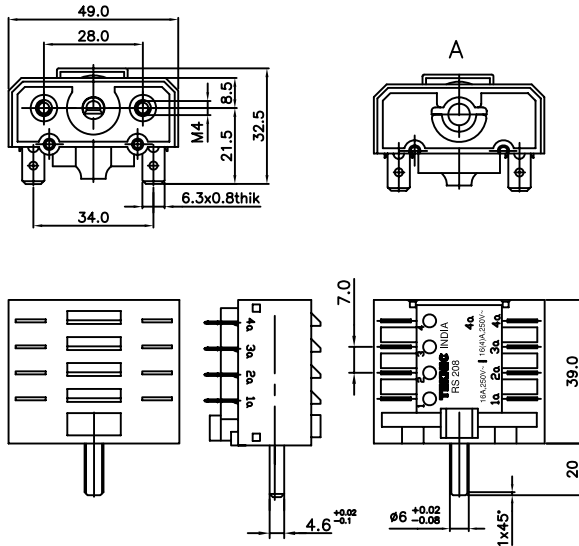


TEKNIC

ROTARY SWITCH RS-208



Rotary switch type 208 is a 4 pole switch. The switch is designed to provide multi function/ programme of the desired circuit, through rotary cam shaft. Widely used in home appliances such as washing machines & also used in air conditioners.

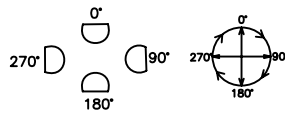


Programme :

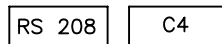
| SHAFT POSITION | CONTACT | | | |
|----------------|---------|---------|---------|---------|
| | 1 1a | 2 2a | 3 3a | 4 4a |
| 0° | | | | |
| 90° | X | | X | |
| 180° | X | X | X | |
| 270° | X | | X | X |

X = CIRCUIT CLOSED

Shaft Position



ORDERING EXAMPLE



BASIC SWITCH

TYPE

Rotary Switch RS 208, with 4 Terminals

Technical data

| | |
|---|---|
| UL & CSA Rating | : 16A, 125/250V AC , 24V DC |
| Standard Rating | : 16(4)A, 250V AC |
| Electrical endurance | : 6000 CYCLES Min. AS PER UL1054 10,000 Cycles Min. as per EN61058-1 |
| Initial Insulation Resistance | : > 100 Meg. Ohms. @500V DC for 1 minute |
| Dielectric strength | : 1500V AC for 1 minute between poles & body. |
| Body / Shaft | : UL-94 V0 flammability class thermoplastic. |
| Terminal | : 6.3x0.8mm flat quick connect terminals. |
| Contact material | : Silver Alloy. |
| Operating temperature | : T85°C as per EN-61058-1 T65°C as per UL-1054 |
| Fixing | : Panel mounting with M4 screws. |
| Reference Standard | : CSA 22.2 No.55, UL 1054 EN 61058-1 |
| Protection against Electric shock. | : Class II Appliances as per EN 61058-1 |
| Glow wire rating of plastic holding/supporting current carrying parts | : Level 'C' 850° C as per EN 61058-1 |
| Degree of pollution | : Normal as per En 61058-1 |
| Proof of tracking index | : PTI 175V |
| Approvals | : |

For further details, please write to:

TEKNIC ELECTROMECONICS PVT. LTD.

Regd. : 36, SNS Chambers, 239, Sankey Road, Bangaluru-560 080
Office Tel. 0091-80-23617867, 23619348. Fax. 0091-80-23618607,
E-mail : venkatesh@teknicelectromeconics.co.in

Website: www.teknicelectromeconics.com

Factory : 93, Electronic city Phase 1, 5th cross, Hosur Road, Bangaluru-560 100
Tel. 0091-80-28522716,2820389, 28520714. Fax. 0091-80-28520254.
E-mail : tep_ws@teknicelectromeconics.co.in & planning@teknicelectromeconics.co.in

Head : 703, Madhava, Bandra Kurla Complex, Bandra(East), Mumbai - 400 051.
Office Tel. 0091-22-42532500. Fax. 0091-22-26592391
Email : teknic@vsnl.com

Website: www.teknicelectromeconics.co.in

TEKNIC

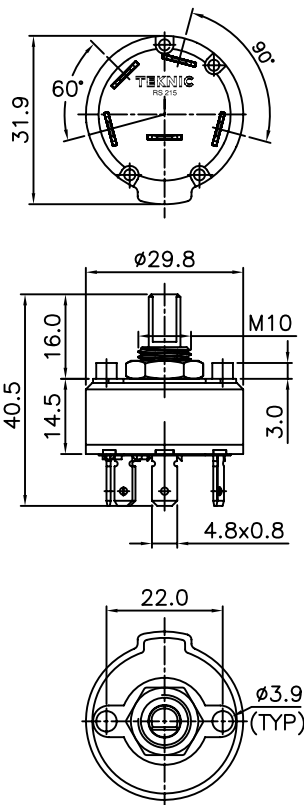
ROTARY SWITCH RS215



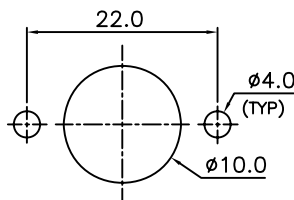
Rotary switch type RS 215 is designed for single pole operation in 60° switching angle, for 3 speeds & 90° angle for inching. The switch finds application in home appliance such as mixer grinder.



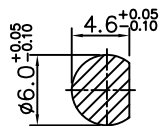
RS-215- 3 Position 60° with inching



Panel mounting dimensions



Shaft Dimension:



TECHNICAL DATA

| | |
|-----------------------------------|---|
| RATING | : 6(3)A, 250 V AC 6A, 125/250 V AC |
| INITIAL INSULATION RESISTANCE | : > 100 Meg ohms. |
| INITIAL CONTACT RESISTANCE | : < 10 milliohms. |
| DIELECTRICAL STRENGTH | : 1500V AC FOR 1 MINUTE |
| OPERATING TEMPERATURE | : T85 |
| CASE MATERIAL | : NYLON 6 / 66 |
| CONTACT MATERIAL | : COPPER ALLOY |
| FIXING | : BY CENTRAL FIXING NUT |
| ELECTRICAL ENDURANCE | : 10,000 CYCLES MIN. EN 61058-1 |
| REFERENCE STANDARDS | : EN 61058-1 , CSA 22.2 No.55 UL 1054 |
| DEGREE OF PROTECTION | : IP 40 |
| PROTECTION AGAINST ELECTRIC SHOCK | : CLASS II APPLIANCE Ref.:(EN 61058-1) |
| RESISTANCE TO HEAT AND FIRE | : LEVEL 'C' 850°C Ref.:(EN 61058-1) |
| DEGREE OF POLLUTION | : NORMAL Ref.:(EN 61058-1) |
| PROOF OF TRACKING | : PTI 175V Ref.:(EN 61058-1) |
| INDEX | |
| APPROVALS | : |

For further details, please write to:

TEKNIC ELECTROMECONICS PVT. LTD.

Regd. : 36, SNS CHAMBERS, 239, SANKEY ROAD, BANGALORE-560 080

Office Tel. (080) 23617867, 23619348. Fax. (080) 23618607,

E-MAIL : teknic ofs@satyam.net.in

Website : www.teknindicindia.com

Factory : 93, Electronic city, Hosur Road, Bangalore-560 100

Tel. (080) 28520472, 28520714. Fax. (080) 28520254.

E-MAIL : tepl_wks@satyam.net.in & planning@teknic-electromeconics.co.in

Head : 703, Madhava, Bandra Kurla Complex, Bandra(East), Mumbai - 400 051.

Office Tel. (022) 26592392/94. Fax. (022) 26592391

Email : teknic@vsnl.com

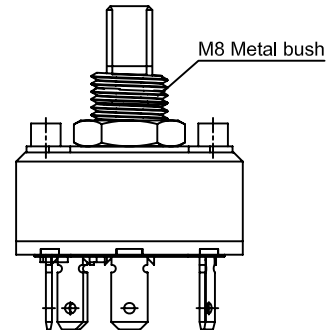
Website : www.teknic.co.in

TEKNIC

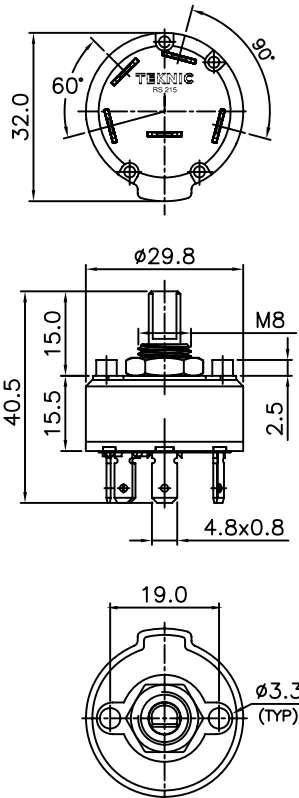
ROTARY SWITCH RS215-B



Rotary switch type RS 215-B is designed for single pole operation in 60° switching angle, for 3 speeds & 90° angle for inching. The switch finds application in home appliance such as mixer grinder.

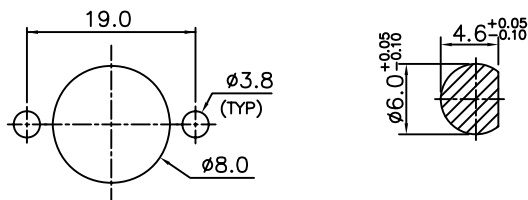


RS-215B- 3 Position 60° with inching



Panel mounting dimensions

Shaft Dimension:



TECHNICAL DATA

| | |
|-----------------------------------|---|
| RATING | : 6(3)A, 250 V AC 6A, 125/250 V AC |
| INITIAL INSULATION RESISTANCE | : > 100 Meg ohms. |
| INITIAL CONTACT RESISTANCE | : < 10 milliohms. |
| DIELECTRICAL STRENGTH | : 1500V AC FOR 1 MINUTE |
| OPERATING TEMPERATURE | : T85 |
| CASE MATERIAL | : NYLON 6 / 66 |
| CONTACT MATERIAL | : COPPER ALLOY |
| FIXING | : BY CENTRAL FIXING NUT |
| ELECTRICAL ENDURANCE | : 10,000 CYCLES MIN. EN 61058-1 |
| REFERENCE STANDARDS | : EN 61058-1 , CSA 22.2 No.55 UL 1054 |
| DEGREE OF PROTECTION | : IP 40 |
| PROTECTION AGAINST ELECTRIC SHOCK | : CLASS II APPLIANCE Ref.:(EN 61058-1) |
| RESISTANCE TO HEAT AND FIRE | : LEVEL 'C' 850°C Ref.:(EN 61058-1) |
| DEGREE OF POLLUTION | : NORMAL Ref.:(EN 61058-1) |
| PROOF OF TRACKING | : PTI 175V Ref.:(EN 61058-1) |
| INDEX | |

For further details, please write to:

TEKNIC ELECTROMECONICS PVT. LTD.

Regd. : 36, SNS CHAMBERS, 239, SANKEY ROAD, BANGALORE-560 080

Office Tel. (080) 23617867, 23619348. Fax. (080) 23618607,

E-MAIL : teknic ofs @satyam.net.in

Website : www.teknicindia.com

Factory : 93, Electronic city, Hosur Road, Bangalore-560 100

Tel. (080) 28520472, 28520714. Fax. (080) 28520254.

E-MAIL : tep_l_wks@satyam.net.in & planning@teknic-electromeconics.co.in

Head : 703, Madhava, Bandra Kurla Complex, Bandra(East), Mumbai - 400 051.

Office Tel. (022) 26592392/94. Fax. (022) 26592391

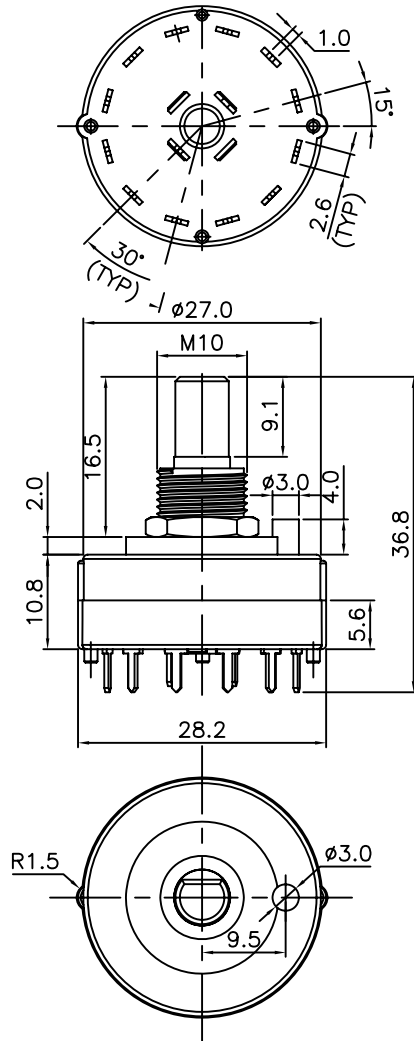
Email : teknic@vsnl.com

Website : www.teknic.co.in

TEKNIC

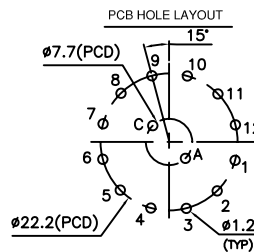
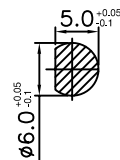
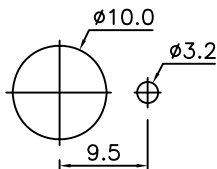
ROTARY SWITCH RS220

Rotary switch type RS 220 is designed for double pole 6 way operation at 30° switching angle. The switch finds application in electrical, electronics, and instrumentation equipments.



Panel mounting dimensions

Shaft Dimension:



TECHNICAL DATA

| | |
|-----------------------------------|--|
| SWITCH RATING | : 150mA, 250 V AC/DC |
| THERMAL RATING | : 5A, 250V AC |
| INITIAL INSULATION RESISTANCE | : > 100 megohms. |
| DIELECTRICAL STRENGTH | : 1500V AC FOR 1 MINUTE |
| OPERATING TEMPERATURE | : T85 |
| CASE MATERIAL | : NYLON 66 |
| CONTACT MATERIAL | : COPPER ALLOY |
| FIXING | : BY CENTRAL FIXING NUT |
| ELECTRICAL ENDURANCE | : 10,000 CYCLES MIN. |
| REFERENCE STANDARD | : EN : 61058-1 |
| DEGREE OF PROTECTION | : IP 40 |
| PROTECTION AGAINST ELECTRIC SHOCK | : CLASS II APPLIANCE Ref.:(EN:61058-1) |
| RESISTANCE TO HEAT&FIRE. | : LEVEL 'C' 850°C Ref.:(EN:61058-1) |
| DEGREE OF POLLUTION | : NORMAL Ref.:(EN:61058)-1 |
| PROOF OF TRACKING INDEX | : PTI 175V Ref.:(EN:61058)-1 |

| NO.OF POSITIONS | |
|-----------------|---------------|
| ORDERING CODE | SCHEMATIC DRG |
| 01 | From A,1/C,7 |
| 02 | Upto A,2/C,8 |
| 03 | Upto A,3/C,9 |
| 04 | Upto A,4/C,10 |
| 05 | Upto A,5/C,11 |
| 06 | Upto A,6/C,12 |

For further details, please write to:

TEKNIC ELECTROMECONICS PVT. LTD.

Regd. : 36, SNS Chambers, 239, Sankey Road, Bangaluru-560 080
 Office Tel. 0091-80-23617867, 23619348. Fax. 0091-80-23618607,
 E-mail : venkatesh@teknicelectromeconics.co.in
 Website: www.teknicelectromeconics.co.in
 Factory : 93, Electronic city Phase 1, 5th cross, Hosur Road, Bangaluru-560 100
 Tel. 0091-80-28522716, 2820389, 28520714. Fax. 0091-80-28520254.
 E-mail : tepl_wks@teknicelectromeconics.co.in & planning@teknicelectromeconics.co.in
 Head : 703, Madhava, Bandra Kurla Complex, Bandra(East), Mumbai - 400 051.
 Office Tel. 0091-22-42532500. Fax. 0091-22-26592391
 Email : teknicelectromeconics@vsnl.com
 Website: www.teknicelectromeconics.co.in