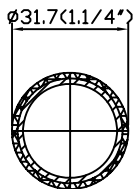
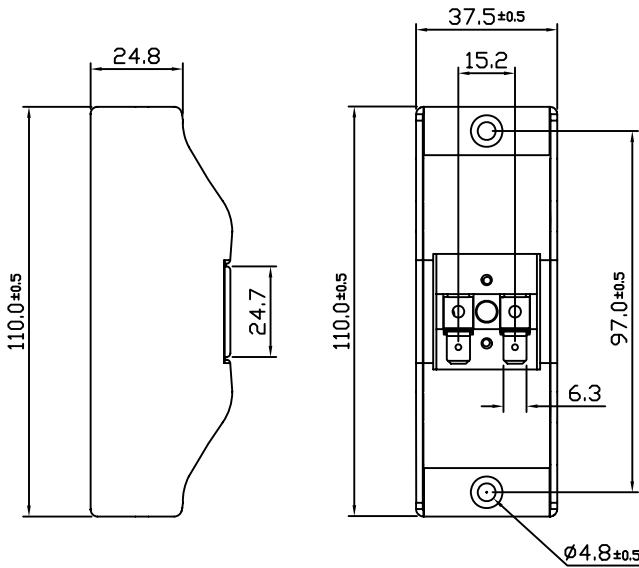
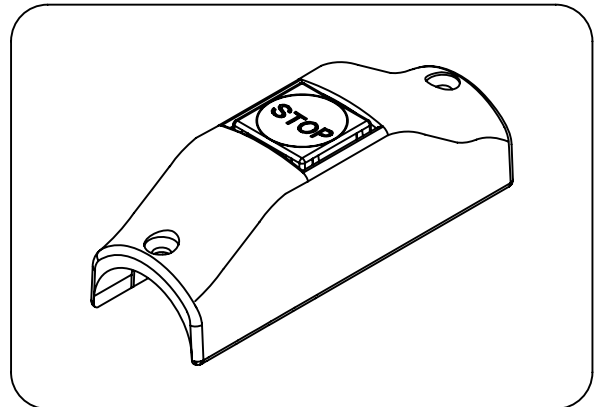


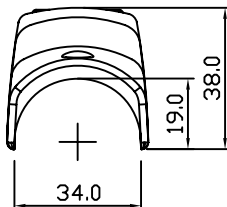
TEKNIC

PUSH SWITCH P40

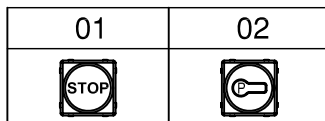
P-40 is a non-illuminated switch and is aesthetically elegant and suitable for screw mounting. The switch finds applications in Automobiles.



MOUNTING PIPE SECTION



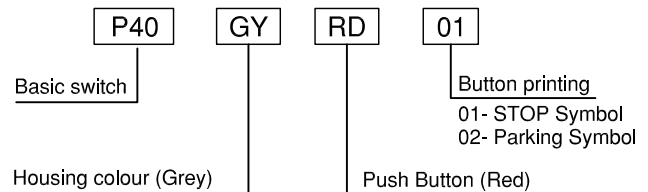
PRINTING ON BUTTONS



TECHNICAL DATA :

RATING	: 0.1A, 24V DC
INITIAL INSULATION RESISTANCE	: > 100 MEG.OHMS
INITIAL CONTACT RESISTANCE	: < 10 MILLIOHMS
DI-ELECTRIC STRENGTH	: 1500V AC FOR 1 MINUTE.
OPERATING FORCE	: 1000 gm max.
CONTACT GAP	: MICRO DISCONNECTION (μ)
HOUSING / BUTTON	: THERMOPLASTIC
CONTACT MATERIAL	: SILVER PLATED - ELECTROLYTIC COPPER
TERMINAL MATERIAL	: BRASS
FIXING	: BY SCREW
OPERATING TEMPERATURE	: T85
TERMINAL	: 6.3 x 0.8 QUICK CONNECT
GLOW WIRE RATING	: LEVEL 'C', 850°C
PROOF OF TRACKING INDEX	: PTI 175V Ref : (EN:61058-1)
DEGREE OF PROTECTION	: IP 30 Ref : (EN:61058-1)

ORDERING EXAMPLE :



For further details, please write to:

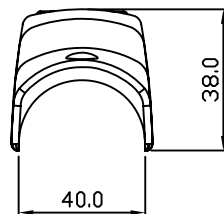
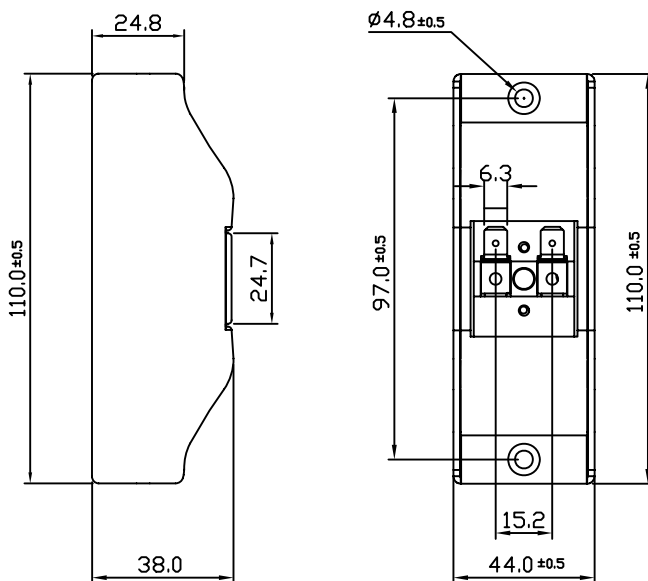
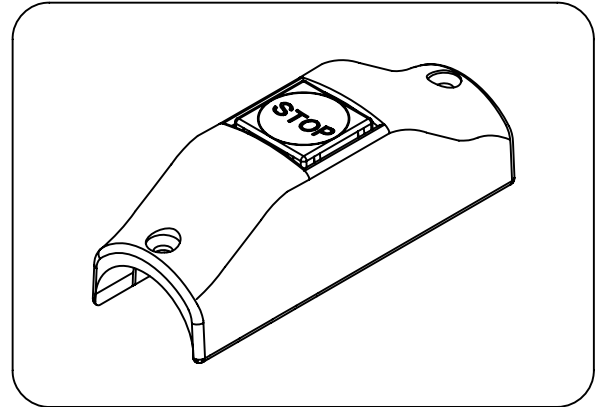
TEKNIC ELECTROMECONICS PVT. LTD.

Regd. : 36, SNS chambers, 239, Sankey Road, Bangalore - 560 080
 Office Tel. 0091-80-23617867, 23619348. Fax : 0091-80-23618607,
 Factory : 93, Electronic City, Hosur Road, Bangalore-560 100
 Tel. 0091-80-28520389, 28522716, 28520714. Fax : 0091-80-28520254.
 E-MAIL : tepl_wks@teknico.co.in & planning@teknico-electromeconics.co.in
marketing@teknico-electromeconics.co.in
 Head : 703, Madhava, Bandra Kurla Complex, Bandra (East), Mumbai - 400 051.
 Office Tel. 0091-22-42532500. Fax : 0091-22-26592391
 Email : teknico@vsnl.com
 Website: www.teknicoindia.com

TEKNIC

PUSH SWITCH P41

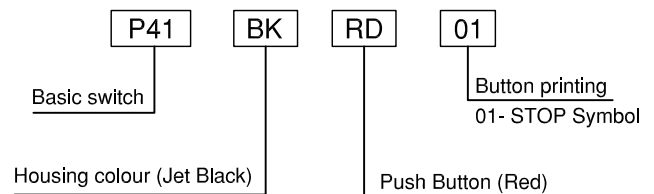
P-41 is a non-illuminated switch and is aesthetically elegant and suitable for screw mounting. The switch finds applications in Automobiles.



TECHNICAL DATA :

RATING	: 0.1A, 24V DC
INITIAL INSULATION RESISTANCE	: > 100 MEG.OHMS
INITIAL CONTACT RESISTANCE	: < 10 MILLIOHMS
DI-ELECTRIC STRENGTH	: 1500V AC FOR 1 MINUTE.
OPERATING FORCE	: 1000 gm max.
CONTACT GAP	: MICRO DISCONNECTION (μ)
HOUSING / BUTTON	: THERMOPLASTIC
CONTACT MATERIAL	: GOLD PLATED Ag
TERMINAL MATERIAL	: BRASS
FIXING	: BY SCREW
OPERATING TEMPERATURE	: T85
TERMINAL	: 6.3x0.8 QUICK CONNECT
GLOW WIRE RATING	: LEVEL 'C', 850°C
PROOF OF TRACKING INDEX	: PTI 175V Ref : (EN:61058-1)
DEGREE OF PROTECTION	: IP 30 Ref : (EN:61058-1)

ORDERING EXAMPLE :



For further details, please write to:

TEKNIC ELECTROMECONICS PVT. LTD.

Regd. : 36, SNS Chambers, 239, Sankey Road, Bangaluru-560 080
 Office Tel. 0091-80-23617867, 23619348. Fax. 0091-80-23618607,
 E-mail : venkatesh@teknicelectromeconics.co.in

Website: www.teknincindia.com

Factory : 93, Electronic city Phase 1, 5th cross, Hosur Road, Bangaluru-560 100
 Tel. 0091-80-28522716, 2820389, 28520714. Fax. 0091-80-28520254.
 E-mail : tepl_wks@teknico.in & planning@teknicelectromeconics.co.in

Head : 703, Madhava, Bandra Kurla Complex, Bandra(East), Mumbai - 400 051.
 Office Tel. 0091-22-42532500. Fax. 0091-22-26592391
 Email : teknic@vsnl.com

Website: www.teknico.in

WE RESERVE THE RIGHT TO UPGRADE SPECIFICATIONS FOR IMPROVEMENTS WITHOUT ANY PRIOR NOTICE.

All dimensions are in 'mm'

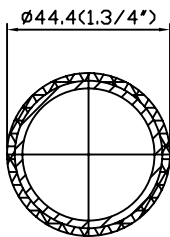
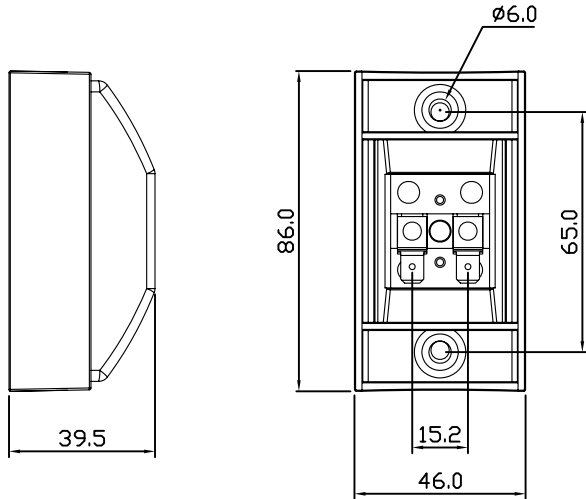
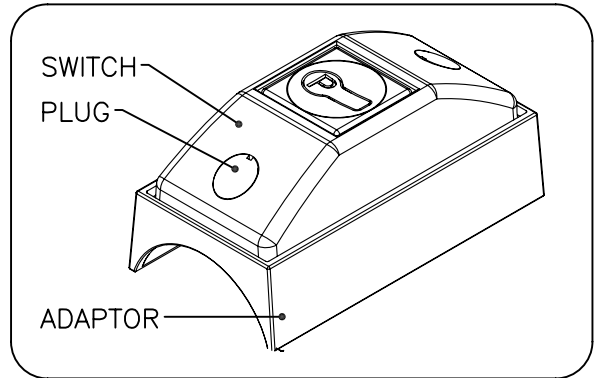
FM:MT:92 REV.:A

TEKNIC

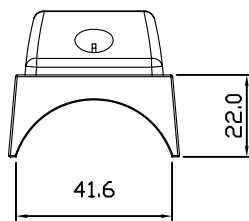


PUSH SWITCH P44

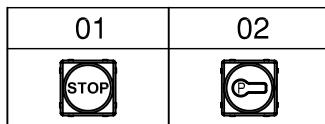
P-44 is a non-illuminated switch and is aesthetically elegant and suitable for screw mounting. The switch finds applications in Automobiles.



MOUNTING PIPE SECTION



PRINTING ON BUTTONS

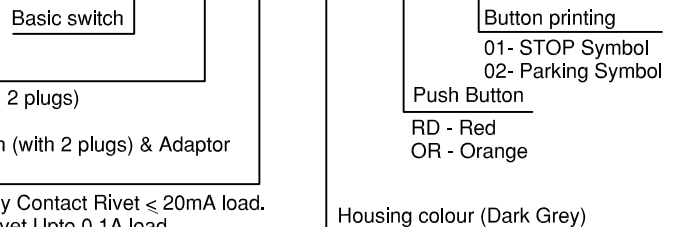


TECHNICAL DATA :

RATING	: 0.1A, 24V DC
INITIAL INSULATION RESISTANCE	: > 100 MEG.OHMS
INITIAL CONTACT RESISTANCE	: < 10 MILLIOHMS
DI-ELECTRIC STRENGTH	: 1500V AC FOR 1 MINUTE.
OPERATING FORCE	: 1000 gm max.
CONTACT GAP	: MICRO DISCONNECTION (μ)
HOUSING / BUTTON	: THERMOPLASTIC
CONTACT MATERIAL	: 1) GOLD PLATED SILVER ALLOY 2) SILVER ALLOY
TERMINAL MATERIAL	: BRASS
FIXING	: BY SCREW
OPERATING TEMPERATURE	: T85
TERMINAL	: 6.3 x 0.8 QUICK CONNECT
GLOW WIRE RATING	: LEVEL 'C', 850°C
PROOF OF TRACKING INDEX	: PTI 175V Ref : (EN:61058-1)
DEGREE OF PROTECTION	: IP 30 Ref : (EN:61058-1)

ORDERING EXAMPLE :

P44 S G GR RD 01



For further details, please write to:

TEKNIC ELECTROMECONICS PVT. LTD.

Regd. : 36, SNS Chambers, 239, Sankey Road, Bangaluru-560 080
 Office Tel. 0091-80-23617867, 23619348. Fax. 0091-80-23618607,
 E-mail : venkatesh@teknicelectromeconics.co.in
 Website: www.tekniceindia.com
 Factory : 93, Electronic city Phase 1, 5th cross, Hosur Road, Bangaluru-560 100
 Tel. 0091-80-28522716, 2820389, 28520714. Fax. 0091-80-28520254.
 E-mail : tepl_wks@teknice.co.in & planning@teknicelectromeconics.co.in
 Head : 703, Madhava, Bandra Kurla Complex, Bandra(East), Mumbai - 400 051.
 Office Tel. 0091-22-42532500. Fax. 0091-22-26592391
 Email : teknice@vsnl.com
 Website: www.teknice.co.in

WE RESERVE THE RIGHT TO UPGRADE SPECIFICATIONS FOR IMPROVEMENTS WITHOUT ANY PRIOR NOTICE.

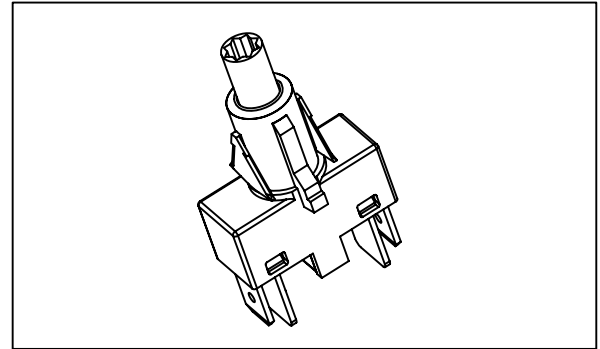
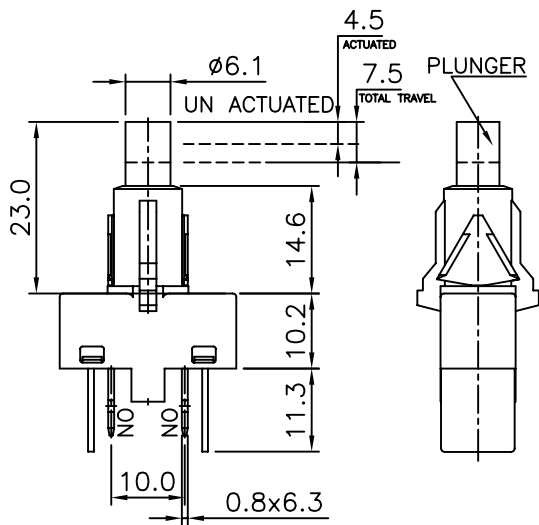
All dimensions are in 'mm'

FM:MT:99 REV.: C

TEKNIC

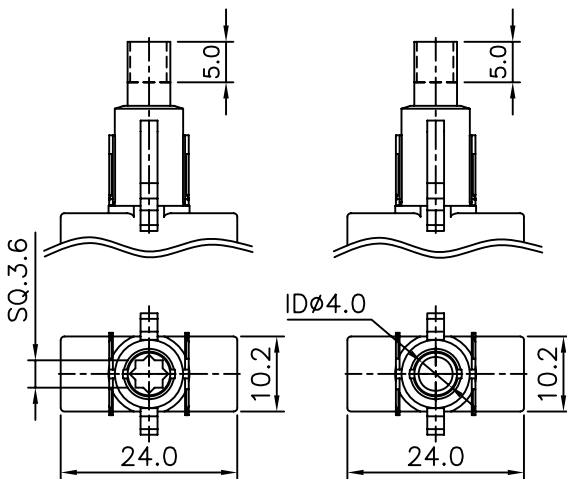
PUSH PUSH SWITCH PP-85

Push-Push Switch type PP85 is a double break device developed as a control switch for operation. It is for use in electrical, electronic equipments and appliances water purifier, table top grinder etc.



TECHNICAL DATA :

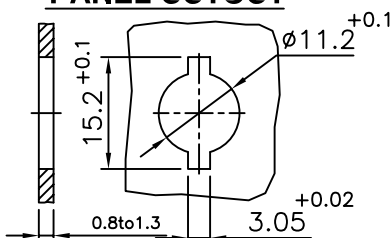
FUNCTION	: PUSH TO ON PUSH TO OFF (NO) PUSH TO OFF PUSH TO ON (NC) PUSH TO CHANGE OVER (1NC+1NO)
RATING	: 6(3) A 250 VAC
ELECTRICAL ENDURANCE	: 10,000 CYCLES
INITIAL INSULATION RESISTANCE	: > 100 MEG.OHMS AT 500VDC
DI-ELECTRIC STRENGTH	: 1500V AC FOR 1 MINUTE
OPERATING FORCE	: 750gf
INSULATION MATERIAL	: NYLON 6
CONTACT MATERIAL	: SILVER ALLOY
TERMINAL MATERIAL	: BRASS
FIXING	: BY SNAP FITTING
OPERATING TEMPERATURE	: T85
REFERENCE STANDARDS	: EN61058-1
DEGREE OF PROTECTION	: IP 40
PROTECTION AGAINST ELECTRIC SHOCK	: CLASS II APPLIANCES (Ref. EN61058-1)



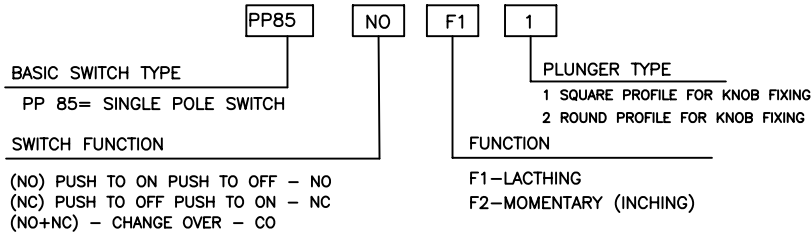
PLUNGER SQUARE PROFILE

PLUNGER ROUND PROFILE

PANEL CUTOUT



ORDERING EXAMPLE :



EXAMPLE 1 PP85 NO F1 1

PP85 SWITCH-NO LACTHING WITH PLUNGER OF SQUARE PROFILE FOR KNOB FIXING

For further details, please write to:

TEKNIC ELECTROMECONICS PVT. LTD.

Regd. : 36, SNS Chambers, 239, Sankey Road, Bangaluru-560 080
Office Tel. 0091-80-23617867, 23619348. Fax. 0091-80-23618607,
E-mail : venkatesh@teknic-electromeconics.co.in
Website: www.teknicindia.com
Factory : 93, Electronic city Phase 1, 5th cross, Hosur Road, Bangaluru-560 100
Tel. 0091-80-28522716,2820389, 28520714. Fax. 0091-80-28520254.
E-mail : tepl_wks@teknic.co.in & planning@teknic-electromeconics.co.in
Head : 703, Madhava, Bandra Kurla Complex, Bandra(East), Mumbai - 400 051.
Office Tel. 0091-22-42532500. Fax. 0091-22-26592391
Email : teknic@vsnl.com
Website: www.teknic.co.in

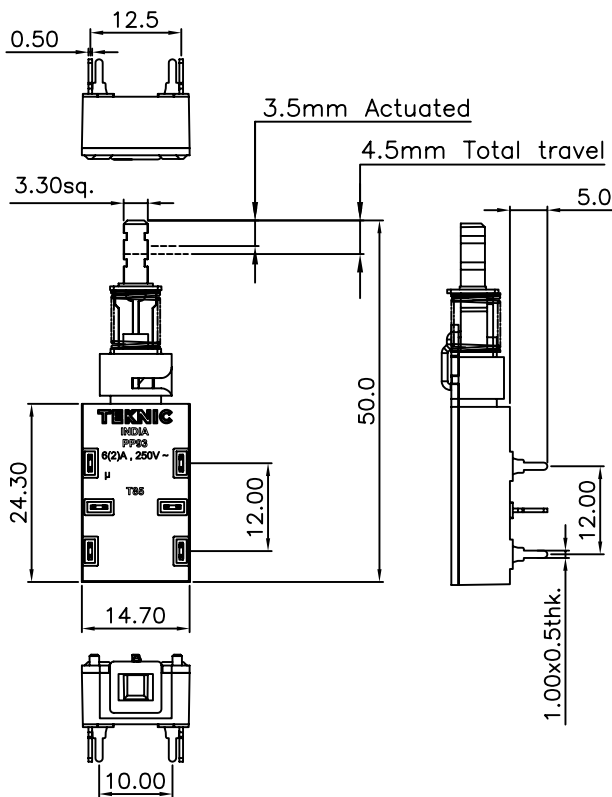
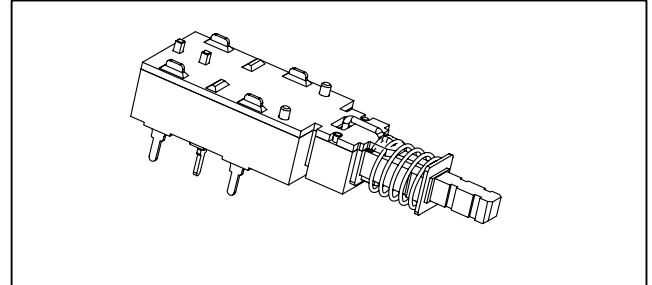
FM:MT:105 REV.: A

TEKNIC

Push Push switch-PP93



Push push switch is a double pole double throw switch which is compact & aesthetically elegant. The switch is designed with solderable terminal for use in wide variety of applications such as home appliances, office automation products, water purifying equipments, stabilizers, UPS, power supply units and other electrical equipments.



TECHNICAL DATA:

Function	: Push to 'ON', Push to 'OFF'
	: DPDT (Double pole double throw)
Rating	: 6(2)A , 250 V AC
Electrical Endurance	: 10,000 Cycles
Operating Force	: 1000 gf max.
Initial Insulation	: >100M Ω
Resistance	: at 500V DC
Die-electric strength	: 1500 V min. across insulation.
Contact Material	: Silver alloy
Terminal material	: Brass
Fixing	: PCB mounting.
Operating Temperature	: T85
Degree of Protection	: IP 40 (as per EN 61058-1)
Protection against electric shock	: Class II Appliances (as per EN 61058-1)
Resistance to heat & fire.	: LEVEL 'C', 850°C (as per EN 61058-1)
Degree of Pollution	: Normal (as per EN 61058-1)
Proof of tracking index	: PTI 175V (as per 61058-1)

For further details, please write to:

TEKNIC ELECTROMECONICS PVT. LTD.

Regd. : 36, SNS Chambers, 239, Sankey Road, Bangaluru-560 080
 Office Tel. 0091-80-23617867, 23619348. Fax. 0091-80-23618607,
 E-mail : venkatesh@teknicelectromeconics.co.in

Website: www.teknicelectromeconics.com

Factory : 93, Electronic city Phase 1, 5th cross, Hosur Road, Bangaluru-560 100
 Tel. 0091-80-28522716, 2820389, 28520714. Fax. 0091-80-28520254.
 E-mail : tepl_wks@teknicelectromeconics.co.in & planning@teknicelectromeconics.co.in

Head : 703, Madhava, Bandra Kurla Complex, Bandra(East), Mumbai - 400 051.
 Office Tel. 0091-22-42532500. Fax. 0091-22-26592391
 Email : teknicelectromeconics@vsnl.com

Website: www.teknicelectromeconics.com

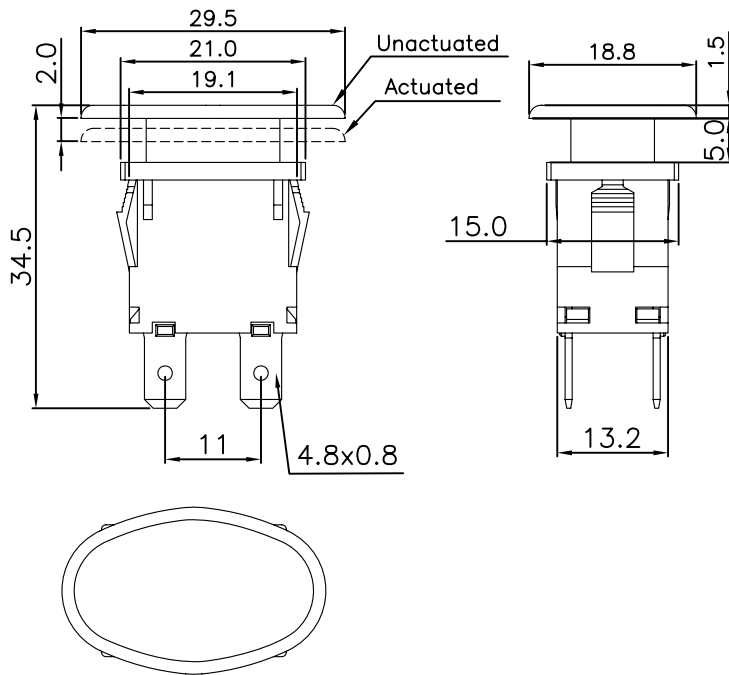
WE RESERVE THE RIGHT TO UPGRADE SPECIFICATIONS FOR IMPROVEMENTS WITHOUT ANY PRIOR NOTICE.

All dimensions are in 'mm'

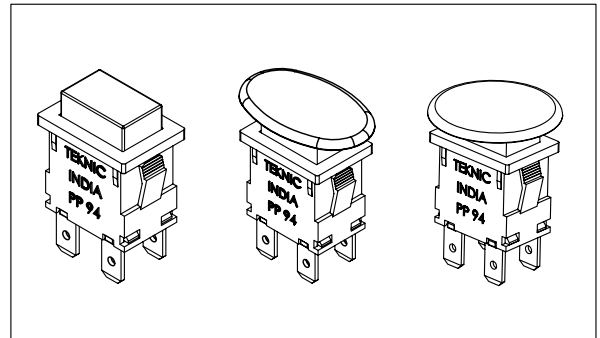
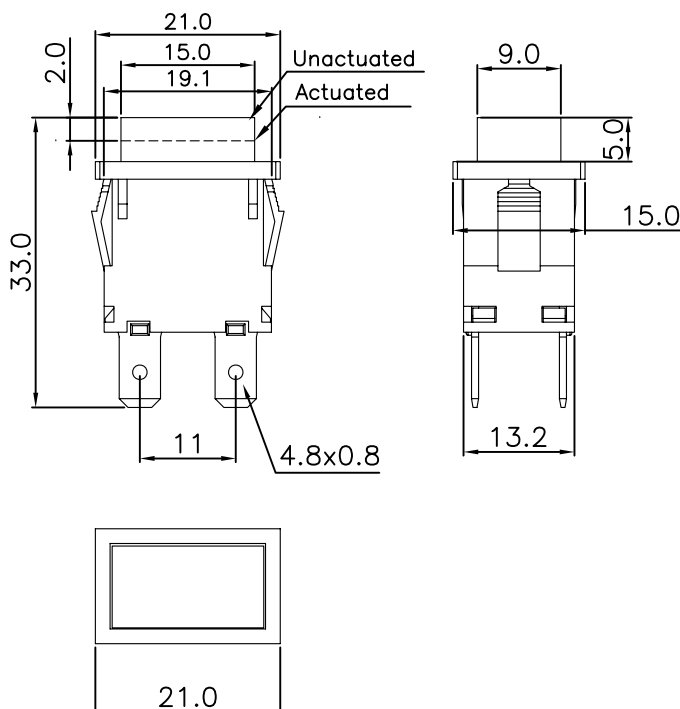
Push Push switch-PP94

Illuminated & Non-Illuminated switches are compact and aesthetically elegant & are suitable for snap mounting in the most common & standard panel cut outs. They are designed for use in a wide variety of applications, in home appliances, office automation products, water purifying equipments, stabilizers, UPS, power supply units and other electrical equipments.

Oval Type Button switch Dimensions.



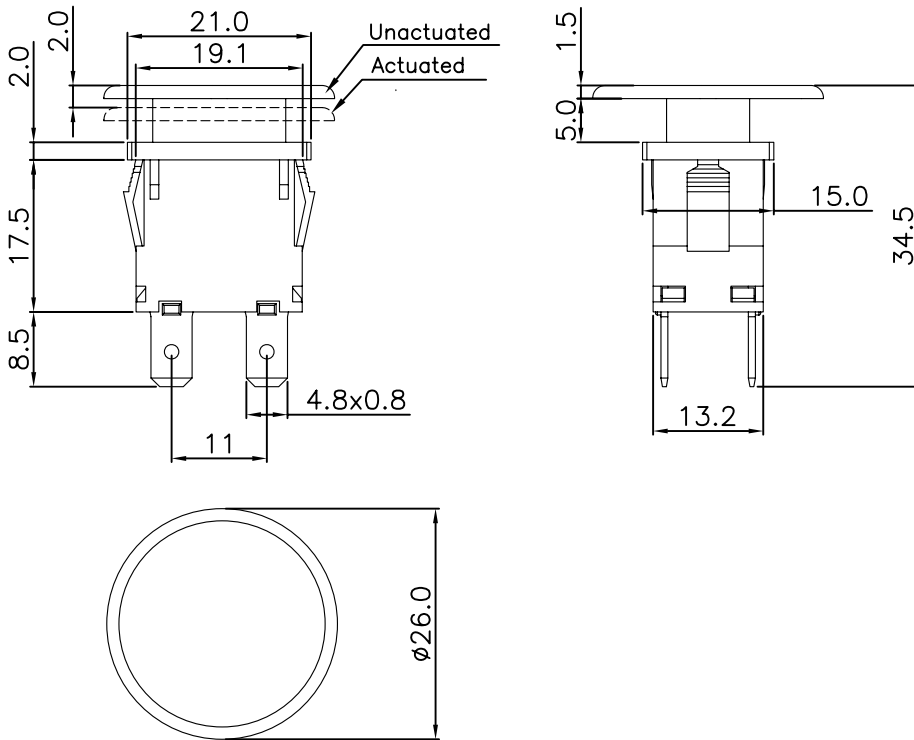
Rectangular Type Button switch Dimensions.



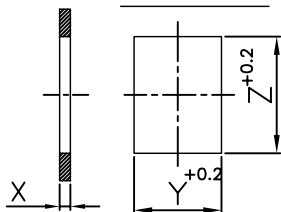
TECHNICAL DATA:

Function	: Push to 'ON', Push to 'OFF' Push to 'ON' (Momentary)
Rating	: 12(4)A 250V AC / 10A 24V DC
Operating Force	: 1500gf max.
Operating Temperature	: 85°C max.
Degree of Protection	: IP 40 (as per EN 61058-1)
Fixing	: By snap fitting to panel cutout
Die-electric strength	: 1500V AC for 1 minute between body & terminals.
Initial Insulation	: >100MΩ
Resistance at 500V DC for 1 minute	
Terminal material	: Copper alloy
Contact Material	: Silver / Silver alloy
Electrical Endurance	: 10,000 Cycles
Resistance to heat and fire for current carrying/supporting plastic parts	: LEVEL 'C', 850°C (as per EN 61058-1)
Proof of tracking index	: PTI 175V (as per 61058-1)

Round Type Button switch Dimensions.



Panel Cutout



Panel Cutout Dimensions

X	Y	Z
0.75-1.25	13.2	19.2
1.25-2	13.2	19.4
2-3	13.2	19.8

General :

1. Appearance

TYPE
N –NON ILLUMINATED
L –ILLUMINATED

2. Operating Functions : () Indicated Momentary action

CIRCUIT	FUNCTION	CODE	FUNCTIONS
ON	OFF	F1	LATCHING
(ON)	OFF	F2	MOMENTARY(INCHING)

3. Terminal Type :

TERMINAL TYPE	CODE
4.8x0.8mm	A

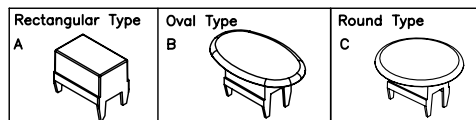
5. Button colours

BUTTON COLOUR	CODE
BLACK	BK
WHITE	WH
AMBER	AM
GREEN	GR
RED	RD

4. Housing Colours :

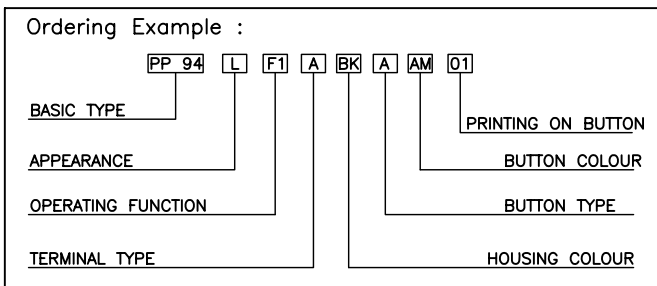
HOUSING COLOUR	CODE
BLACK	BK
WHITE	WH

6. Button Types :



7. Printing on button

01	02
	SERVICE



For further details, please write to:

TEKNIC ELECTROMECONICS PVT. LTD.

Regd. : 36, SNS Chambers, 239, Sankey Road, Bangaluru-560 080
 Office Tel. 0091-80-23617867, 23619348. Fax. 0091-80-23618607,
 E-mail : venkatesh@teknicelectromecanics.co.in
 Website: www.teknicelectromecanics.co.in
 Factory : 93, Electronic city Phase 1, 5th cross, Hosur Road, Bangaluru-560 100
 Tel. 0091-80-28522716,2820389, 28520714. Fax. 0091-80-28520254.
 E-mail : tepl_wks@teknicelectromecanics.co.in & planning@teknicelectromecanics.co.in
 Head : 703, Madhava, Bandra Kurla Complex, Bandra(East), Mumbai - 400 051.
 Office Tel. 0091-22-42532500. Fax. 0091-22-26592391
 Email : teknicelectromecanics@vsnl.com
 Website: www.teknicelectromecanics.co.in

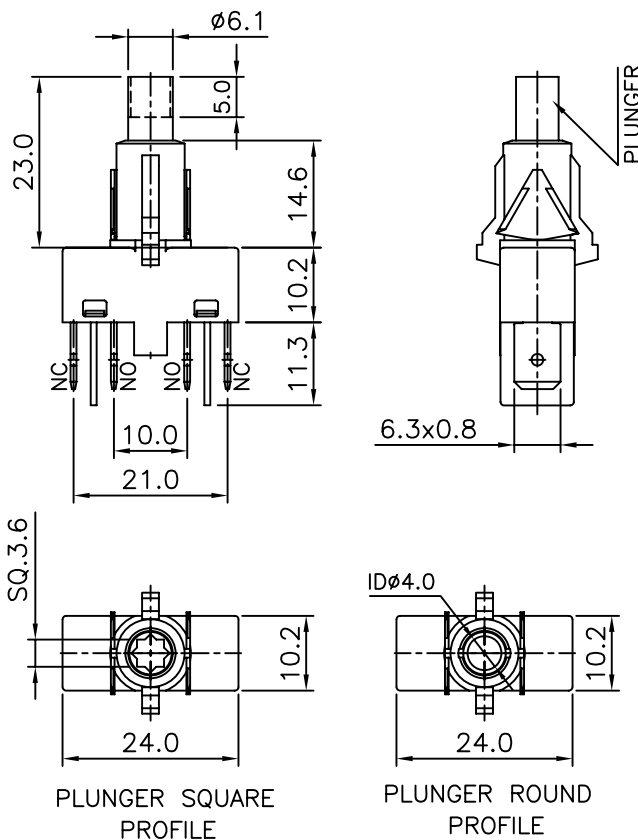
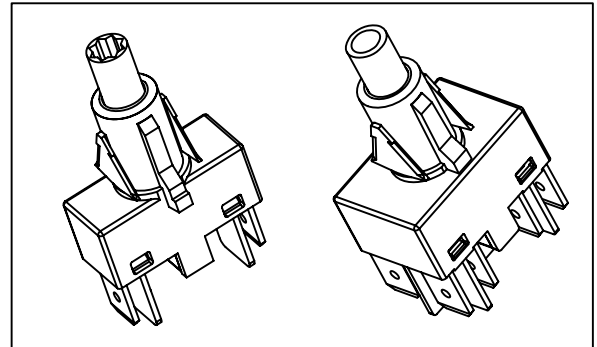
TEKNIC



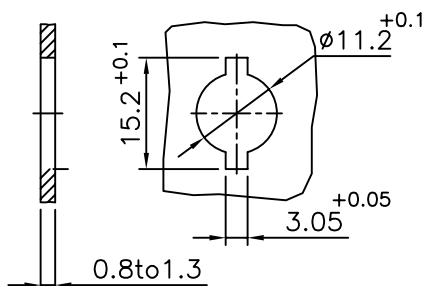
PUSH PUSH SWITCH PP-95

Push-Push Switch type PP95 is a double break device developed as a control switch for operation in both single pole and double pole. It is for use in electrical, electronic equipment and appliances like washing m/c, vaccum cleaner, water purifier, table top grinder etc.

Single Pole- PP 95 NO+NC TYPE



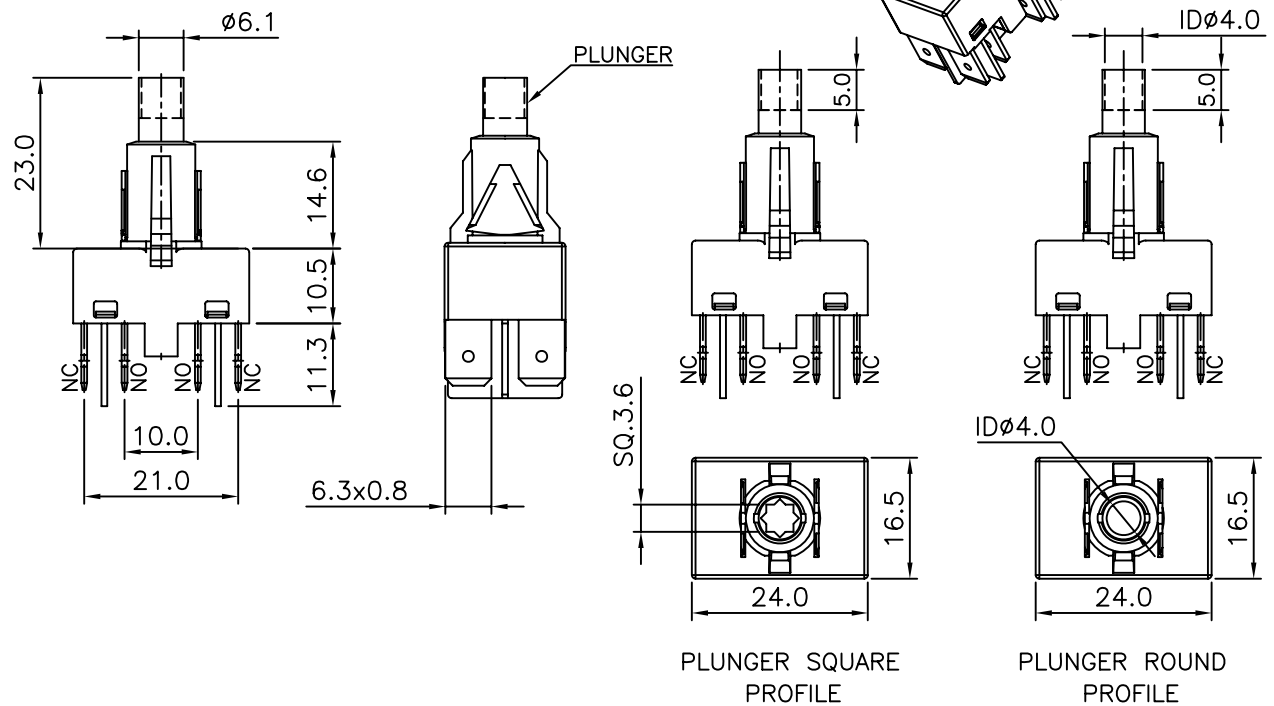
PANEL CUTOUT



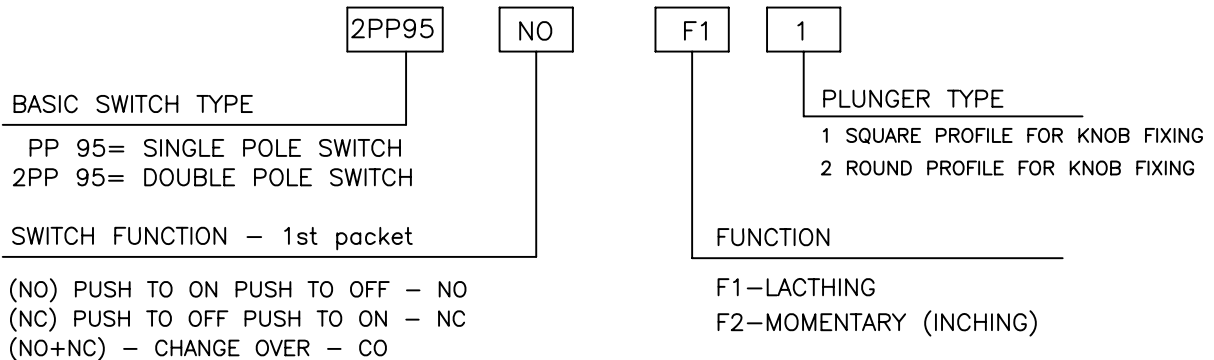
TECHNICAL DATA :

FUNCTION	: PUSH TO ON PUSH TO OFF (NO) PUSH TO OFF PUSH TO ON (NC) PUSH TO CHANGE OVER (1NC+1NO)
RATING	: 16A 125VAC / 250VAC
ELECTRICAL ENDURANCE	: 6000 CYCLES AS PER UL1054 & CSA C22.2 NO.55 10,000 CYCLE AS PER EN61058-1
INITIAL INSULATION RESISTANCE	: > 100 MEG.OHMS AT 500VDC
DI-ELECTRIC STRENGTH	: 1500V AC FOR 1 MINUTE
OPERATING FORCE	: 2000gf max.
BODY & TERMINAL HOLDER MATERIAL	: NYLON 6/66
CONTACT MATERIAL	: SILVER ALLOY
TERMINAL MATERIAL	: BRASS
FIXING	: BY SNAP FITTING
OPERATING TEMPERATURE	: T85
REFERENCE STANDARDS	: EN61058-1, UL-1054, CSA C22.2 NO.55
DEGREE OF PROTECTION	: IP 40
PROTECTION AGAINST ELECTRIC SHOCK	: CLASS II APPLIANCES (Ref. EN61058-1)
RESISTANCE TO HEAT AND FIRE OF PLASTICS HOLDING / SUPPORTING CURRENT CARRYING PARTS	: LEVEL 'C', 850°C (Ref. EN61058-1)
DEGREE OF POLLUTION	: NORMAL (Ref. EN61058-1)
PROOF OF TRACKING INDEX	: PTI 175V (Ref. EN61058-1)
APPROVALS	:

**Double Pole- 2PP 95
NO+NC TYPE**



ORDERING EXAMPLE :



EXAMPLE 2

PP95

NO

F2

2

 PP95 SINGLE POLE SWITCH–NO MOMENTARY WITH PLUNGER OF ROUND PROFILE FOR KNOB FIXING

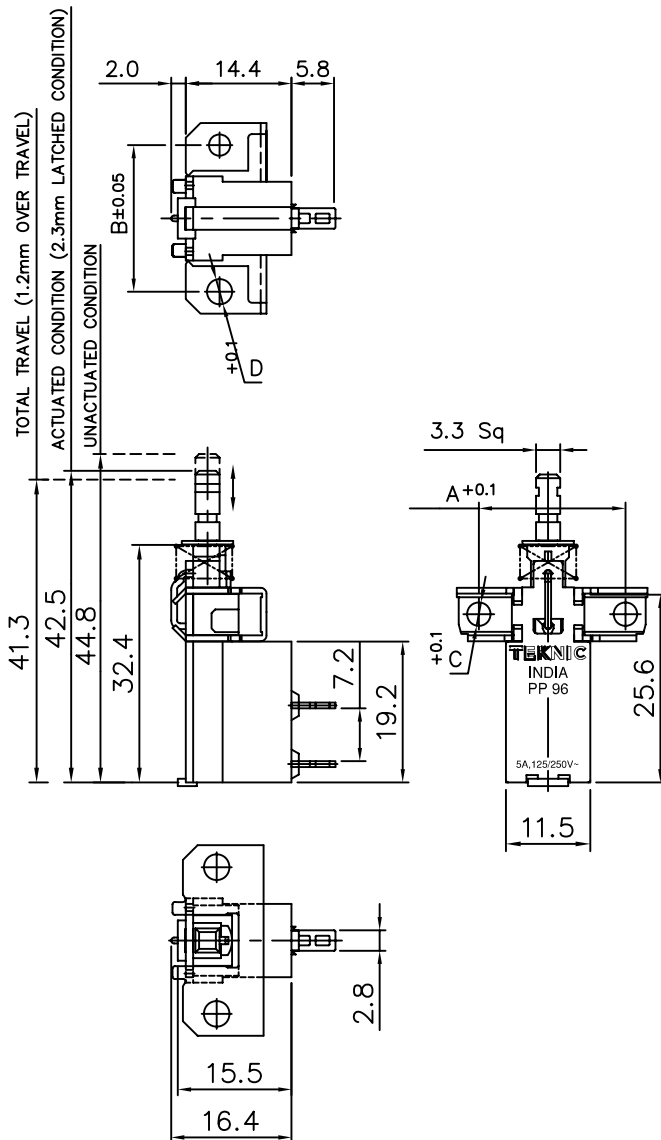
For further details, please write to:

TEKNIC ELECTROMECONICS PVT. LTD.

Regd. : 36, SNS Chambers, 239, Sankey Road, Bangaluru-560 080
 Office Tel. 0091-80-23617867, 23619348. Fax. 0091-80-23618607,
 E-mail : venkatesh@teknicelectromeconics.co.in
 Website: www.teknindia.com
 Factory : 93, Electronic city Phase 1, 5th cross, Hosur Road, Bangaluru-560 100
 Tel. 0091-80-28522716,2820389, 28520714. Fax. 0091-80-28520254.
 E-mail : tepl_wks@teknico.in & planning@teknicelectromeconics.co.in
 Head : 703, Madhava, Bandra Kurla Complex, Bandra(East), Mumbai - 400 051.
 Office Tel. 0091-22-42532500. Fax. 0091-22-26592391
 Email : teknic@vsnl.com
 Website: www.teknico.in

TEKNIC

PUSH PUSH SWITCH PP-96



TECHNICAL DATA :

APPLICATION	: HOUSE HOLD OR ELECTRICAL / ELECTRONIC APPLIANCES
FUNCTION	: PUSH TO ON-PUSH TO OFF
RATING	: 6A,250V~,50Hz.
CASE MATERIAL	: HOUSING, COVER - PBT
CONTACT MATERIAL	: SILVER ALLOY
TERMINALS MATERIAL	: BRASS
OPERATING FORCE	: 900 gms. max.
OPERATING TEMPERATURE	: T85
INSULATION RESISTANCE (NEW STATE)	: > 100 Meg ohms
DIELECTRIC STRENGTH (NEW STATE)	: 1500V AC FOR 1 MINUTE
FIXING	: SCREW FIXING
ELECTRICAL ENDURANCE	: 6,000 CYCLES MIN.
REFERENCE STANDARDS	: CSA 22.2 No.55
PROTECTION AGAINST ELECTRIC SHOCK	: CLASS II APPLIANCES Ref:(EN:61058-1)
RESISTANCE TO HEAT AND FIRE	: LEVEL 'C', 850°C Ref:(EN: 61058-1)
DEGREE OF POLLUTION	: NORMAL Ref:(EN: 61058-1)
APPROVALS	:

PP96-3	20	20	Ø3.2	M3
PP96-2	20	20	Ø3.2	Ø2.5
PP96-1	20	20	Ø3.2	Ø3.2
TYPE	A	B	C	D

For further details, please write to:

TEKNIC ELECTROMECONICS PVT. LTD.

Regd. : 36, SNS Chambers, 239, Sankey Road, Bangaluru-560 080
 Office Tel. 0091-80-23617867, 23619348. Fax. 0091-80-23618607,
 E-mail : venkatesh@teknico-electromeconics.co.in

Website: www.teknicoindia.com

Factory : 93, Electronic city Phase 1, 5th cross, Hosur Road, Bangaluru-560 100
 Tel. 0091-80-28522716,2820389, 28520714. Fax. 0091-80-28520254.
 E-mail : tep_l_wks@teknico.co.in & planning@teknico-electromeconics.co.in

Head : 703, Madhava, Bandra Kurla Complex, Bandra(East), Mumbai - 400 051.
 Office Tel. 0091-22-42532500. Fax. 0091-22-26592391
 Email : teknico@vsnl.com

Website: www.teknico.co.in

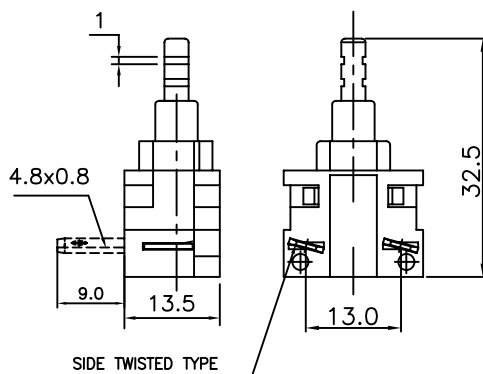
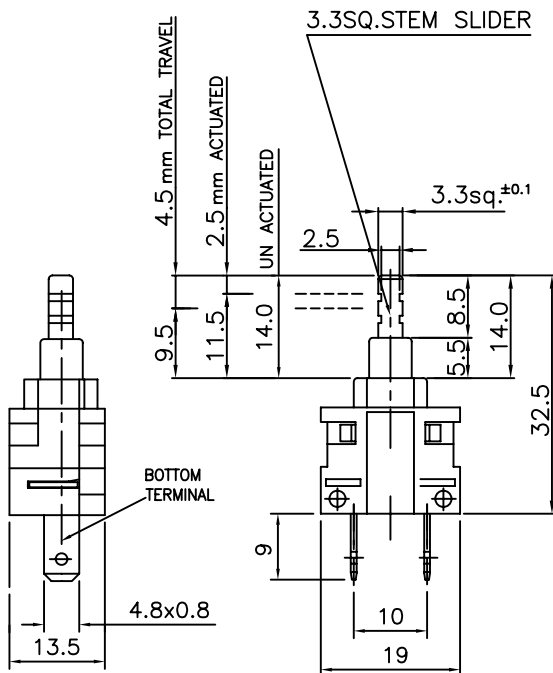
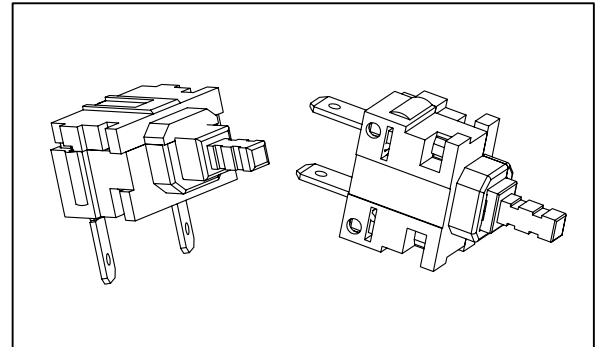
WE RESERVE THE RIGHT TO UPGRADE SPECIFICATIONS FOR IMPROVEMENTS WITHOUT ANY PRIOR NOTICE.

All dimensions are in 'mm'

TEKNIC

PUSH PUSH SWITCH PP-98

Push-Push Switch type PP98 is a double break device developed as a control switch for operation. It is for use in electrical, electronic equipments and appliances like vaccum cleaner, water purifier, table top grinder etc.

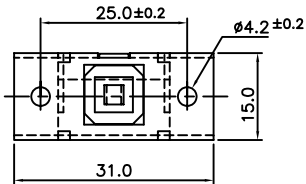
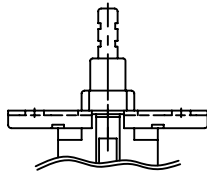


TECHNICAL DATA :

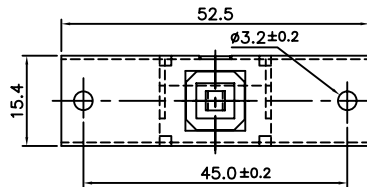
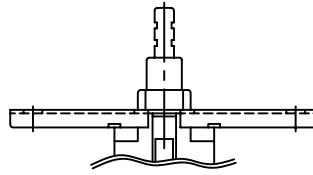
FUNCTION	: PUSH TO ON PUSH TO OFF (LACHING) PUSH TO ON (MOMENTARY)
CSA RATING	: 10A 125VAC / 250VAC
RATING	: 10(4)A 250V AC
ELECTRICAL ENDURANCE	: 6000 CYCLES AS PER CSA C22.2 NO.55 10,000 CYCLE AS PER EN61058-1
INITIAL INSULATION RESISTANCE	: > 100 MEG.OHMS AT 500VDC
DI-ELECTRIC STRENGTH	: 1500V AC FOR 1 MINUTE
OPERATING FORCE	: 1000gf max.
COVER & TERMINAL HOLDER MATERIAL	: NYLON 66
CONTACT MATERIAL	: SILVER ALLOY
TERMINAL MATERIAL	: BRASS
FIXING	: BY SNAP FITTING
OPERATING TEMPERATURE	: T85
REFERENCE STANDARDS	: EN61058-1, CSA C22.2 NO.55
DEGREE OF PROTECTION	: IP 40
PROTECTION AGAINST ELECTRIC SHOCK	: CLASS II APPLIANCES (Ref. EN61058-1)
RESISTANCE TO HEAT AND FIRE OF PLASTICS HOLDING / SUPPORTING CURRENT CARRYING PARTS	: LEVEL 'C', 650°C (Ref. EN61058-1)
DEGREE OF POLLUTION	: NORMAL (Ref.EN61058-1)
PROOF OF TRACKING INDEX	: PTI 175V (Ref. EN61058-1)
APPROVALS	:

FM:MT:15 REV.: H

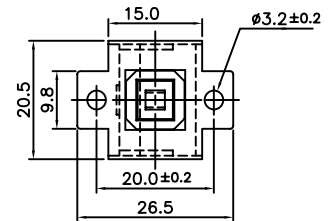
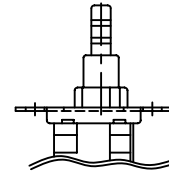
BRACKETS



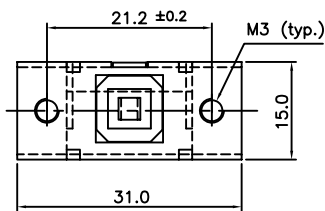
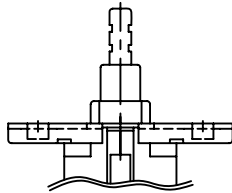
SHORT BRACKET (1)



LONG BRACKET (2)

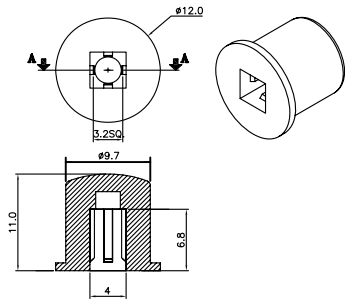


SQUARE BRACKET (3)

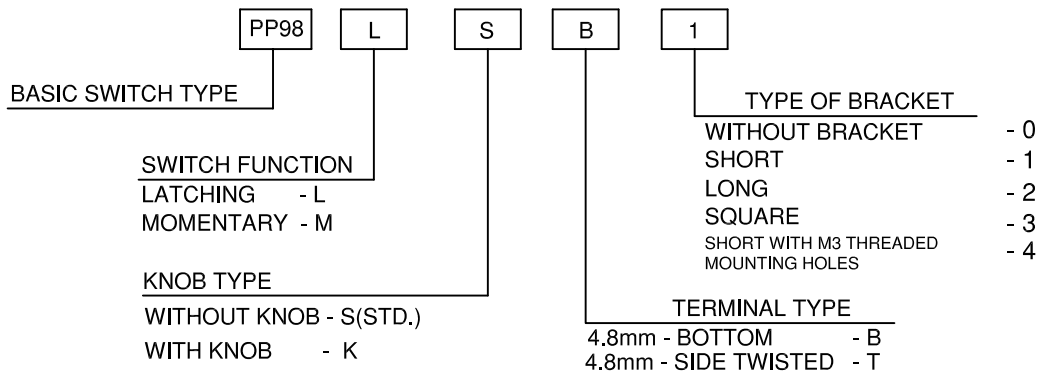


SHORT WITH M3 THREADED MOUNTING HOLES (4)

KNOB



ORDERING EXAMPLE :



For further details, please write to:

TEKNIC ELECTROMECONICS PVT. LTD.

Regd. : 36, SNS Chambers, 239, Sankey Road, Bangalore-560 080

Office Tel. 0091-80-23617867, 23619348. Fax. 0091-80-23618607,

E-mail : venkatesh@teknicelectromeconics.co.in

Website: www.teknincindia.com

Factory : 93, Electronic city Phase 1, 5th cross, Hosur Road, Bangalore-560 100

Tel. 0091-80-28522716, 2820389, 28520714. Fax. 0091-80-28520254.

E-mail : tepl_wks@teknico.in & planning@teknicelectromeconics.co.in

Head : 703, Madhava, Bandra Kurla Complex, Bandra(East), Mumbai - 400 051.

Office Tel. 0091-22-42532500. Fax. 0091-22-26592391

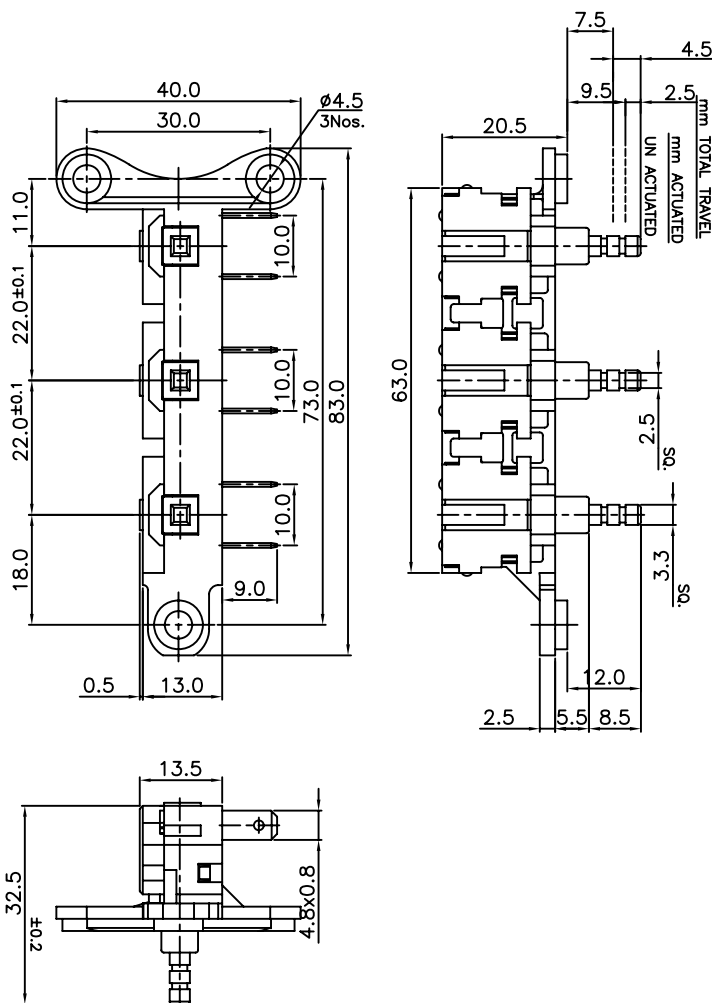
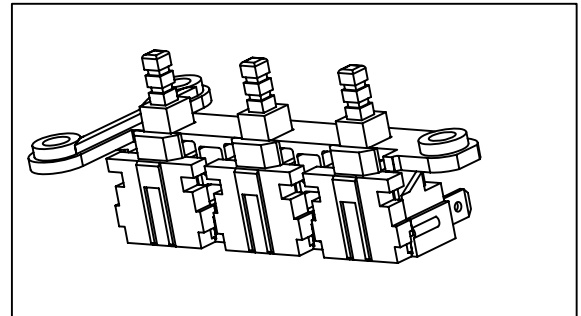
Email : teknic@vsnl.com

Website: www.teknico.in

TEKNIC

PUSH PUSH SWITCH PP-398

Push-Push Switch type PP398 is a double break device developed as a control switch for operation. It is for use in electrical, electronic equipments and appliance like water purifier.



TECHNICAL DATA :

FUNCTION	: PUSH TO ON-PUSH TO OFF/ MOMENTARY ON
RATING	: 6(2)A, 250V AC
ELECTRICAL ENDURANCE	: 10,000 CYCLES MIN. AS PER EN61058-1 6,000 CYCLES AS PER CSA 22.2 No.55
OPERATING TEMPERATURE	: T85
INSULATION RESISTANCE (NEW STATE)	: > 100 MEGAOHMS
DI-ELECTRIC STRENGTH (NEW STATE)	: 1500V AC FOR 1 MINUTE ACROSS INSULATION & TERMINALS
CASE MATERIAL	: HOUSING, COVER NYLON 66
CONTACT MATERIAL	: SILVER ALLOY
TERMINALS MATERIAL	: BRASS
OPERATING FORCE	: 1000 gf max.
REFERANCE STANDARDS	: EN 61058-1
DEGREE OF PROTECTION	: IP 40 REF: (EN: 61058-1)
PROTECTION AGAINST ELECTRIC SHOCK	: CLASS II APPLIANCES REF:(EN: 61058-1)
RESISTANCE AGAINST HEAT & FIRE.	: LEVEL 'C' (650°C) REF:(EN: 61058-1)
DEGREE OF POLLUTION	: NORMAL REF:(EN: 61058-1)
PROOF OF TRACKING INDEX	: PTI 175V REF:(EN: 61058-1)

For further details, please write to:

TEKNIC ELECTROMECONICS PVT. LTD.

Regd. : 36, SNS Chambers, 239, Sankey Road, Bangaluru-560 080
Office Tel. 0091-80-23617867, 23619348. Fax. 0091-80-23618607,
E-mail : venkatesh@teknicelectromeconics.co.in

Website: www.teknincindia.com

Factory : 93, Electronic city Phase 1, 5th cross, Hosur Road, Bangaluru-560 100
Tel. 0091-80-28522716, 2820389, 28520714. Fax. 0091-80-28520254.
E-mail : tep_l_wks@teknico.in & planning@teknicelectromeconics.co.in

Head : 703, Madhava, Bandra Kurla Complex, Bandra(East), Mumbai - 400 051.
Office Tel. 0091-22-42532500. Fax. 0091-22-26592391
Email : teknico@vsnl.com

Website: www.teknico.co.in