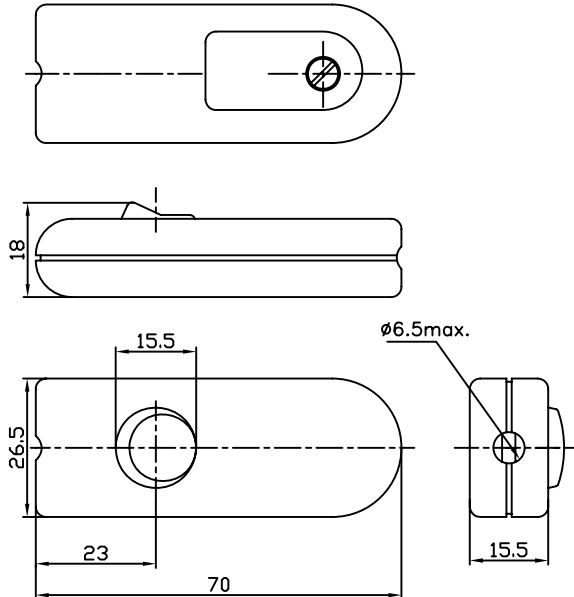
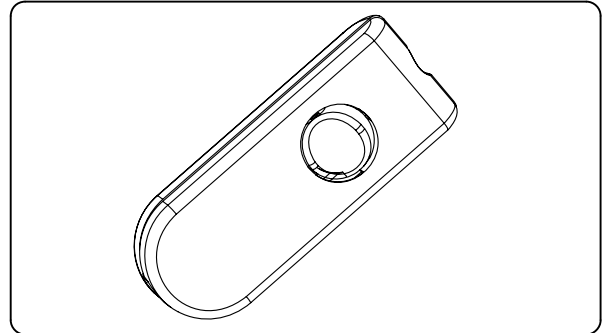


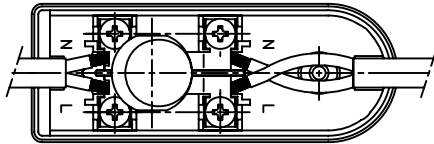
# TEKNIC

## CORD SWITCH WS 50

Cord switch WS50 asthetically elegant & used in lighting applications such as table lamps , night lamps at homes, hotels & solar lamps.

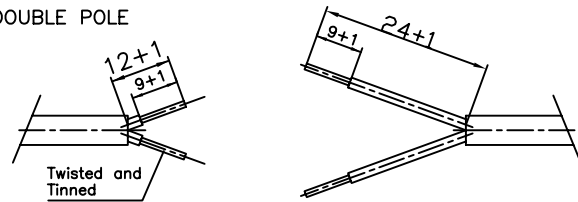


### MOUNTING OF CABLE

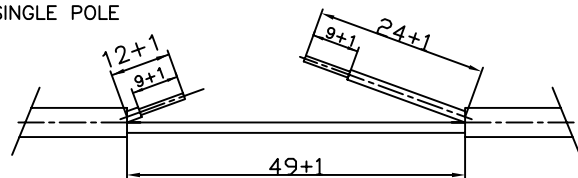


### RECOMMENDED PREPARATION OF CABLE

#### DOUBLE POLE



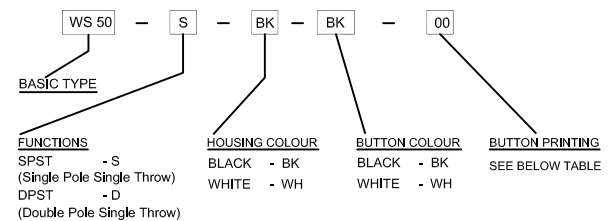
#### SINGLE POLE



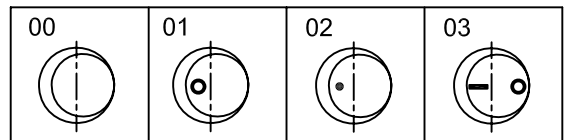
### TECHNICAL DATA

RATING	: 2(0.7)A, 250V AC
FUNCTION	: SPST, DPST
ELECTRICAL ENDURANCE	: 10 000 CYCLES
OPERATING TEMPERATURE	: T85
INITIAL INSULATION RESISTANCE	: >100 Megohms
OPERATING FORCE	: 1300gf
FINAL ELECTRICAL STRENGTH	: 1500V FOR 1 MINUTE
MATERIAL HOUSING, COVER & BUTTON	: NYLON 66
TERMINALS	: INPUT & OUTPUT - COPPER ALLOY MOVING CONTACT - COPPER ALLOY
CORD GRIP	: SELF ALIGNING
TERMINALS	: SCREW TERMINALS
TERMINAL SCREW TIGHTENING TORQUE	: 0.5 Nm max.
CABLE SIZE	: 0.75 Sq. mm Max. ROUND FLEXIBLE CORD
FIXING OF COVER	: SNAP FITTING
FIXING	: SELF TAPPING SCREW IS PROVIDED (0.5 Nm max. TIGHTENING TORQUE)

### ORDERING CODE



### BUTTON PRINTING



For further details, please write to:

### TEKNIC ELECTROMECONICS PVT. LTD.

Regd. : 36, SNS Chambers, 239, Sankey Road, Bangaluru-560 080  
Office Tel. 0091-80-23617867, 23619348. Fax. 0091-80-23618607,  
E-mail : venkatesh@teknlc-electromeconlcs.co.in

Website: www.teknlcindia.com

Factory : 93, Electronic city Phase 1, 5th cross, Hosur Road, Bangaluru-560 100  
Tel. 0091-80-28522716, 2820389, 28520714. Fax. 0091-80-28520254.  
E-mail : tepl\_wks@teknlc.co.in & planning@teknlc-electromeconics.co.in

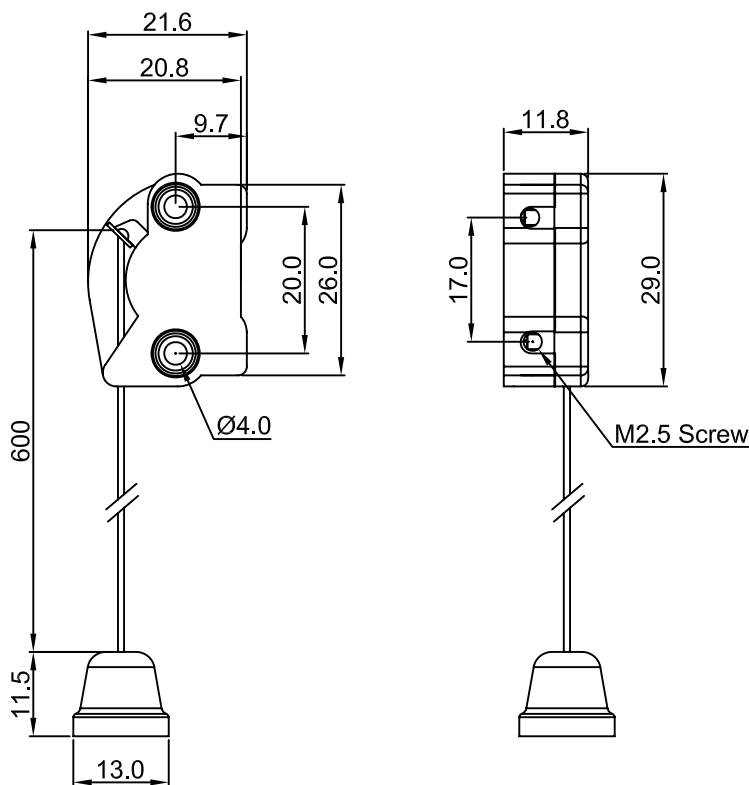
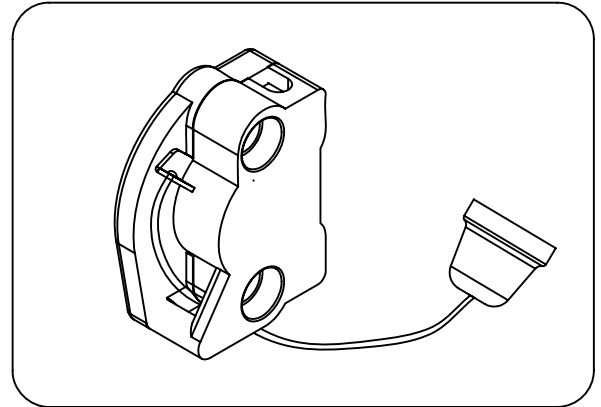
Head : 703, Madhava, Bandra Kurla Complex, Bandra(East), Mumbai - 400 051.  
Office Tel. 0091-22-42532500. Fax. 0091-22-26592391  
Email : teknlc@vsnl.com

Website: www.teknlc.co.in

# TEKNIC

## PULL SWITCH PL 01

PL-01 is a Pull switch which is operated with a nylon cord. It is a ON/OFF switch used in lighting applications.



### TECHNICAL DATA :

SWITCH RATING	: 2A, 250V AC
INITIAL INSULATION RESISTANCE @500V DC FOR 1 MINUTE	: > 100 MEG.OHMS
DI-ELECTRIC STRENGTH	: 1500V AC FOR 1 MINUTE.
OPERATING FORCE	: 500 gf max.
Housing/Cover/Ratchet	: THERMOPLASTIC V2 FLAMMEBILITY CLASS
FIXING	: M3 SCREW MOUNTING
OPERATING TEMPERATURE	: T55
TERMINAL	: SCREW TERMINAL
CONTACT MATERIAL	: COPPER
ELECTRICAL ENDURENCE	: 10000 min. CYCLES AT RATED LOAD

For further details, please write to:

### TEKNIC ELECTROMECONICS PVT. LTD.

Regd. : 36, SNS Chambers, 239, Sankey Road, Bangaluru-560 080  
 Office Tel. 0091-80-23617867, 23619348. Fax. 0091-80-23618607,  
 E-mail : venkatesh@teknicelectromeconics.co.in  
 Website: www.tekniciindia.com  
 Factory : 93, Electronic city Phase 1, 5th cross, Hosur Road, Bangaluru-560 100  
 Tel. 0091-80-28522716,2820389, 28520714. Fax. 0091-80-28520254.  
 E-mail : tepl\_wks@teknicelectromeconics.co.in & planning@teknicelectromeconics.co.in  
 Head : 703, Madhava, Bandra Kurla Complex, Bandra(East), Mumbai - 400 051.  
 Office Tel. 0091-22-42532500. Fax. 0091-22-26592391  
 Email : teknic@vsnl.com  
 Website: www.teknicelectromeconics.co.in